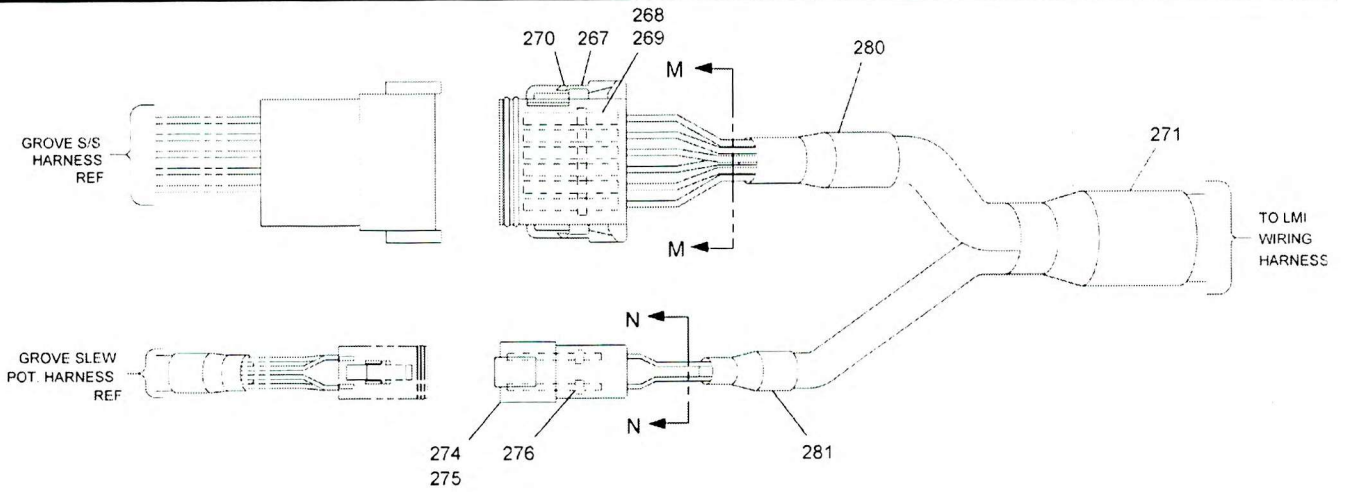
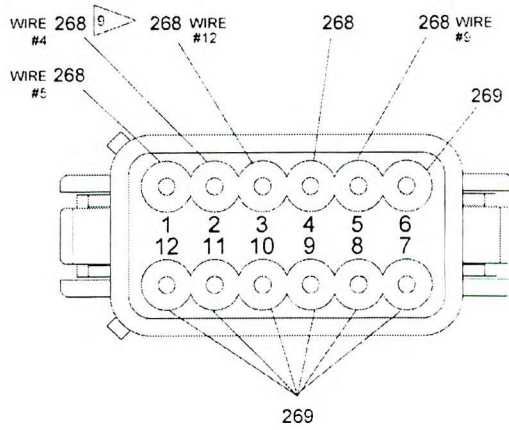


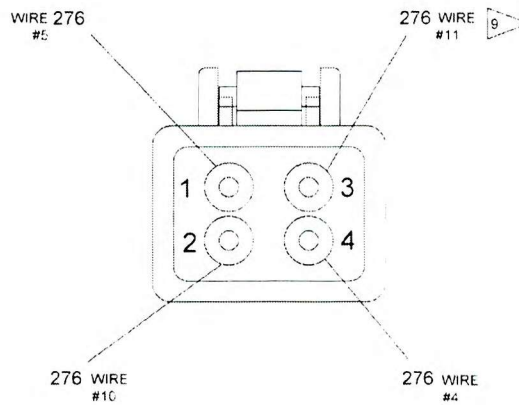
Manitowoc Crane Group



DETAIL K



VIEW M-M

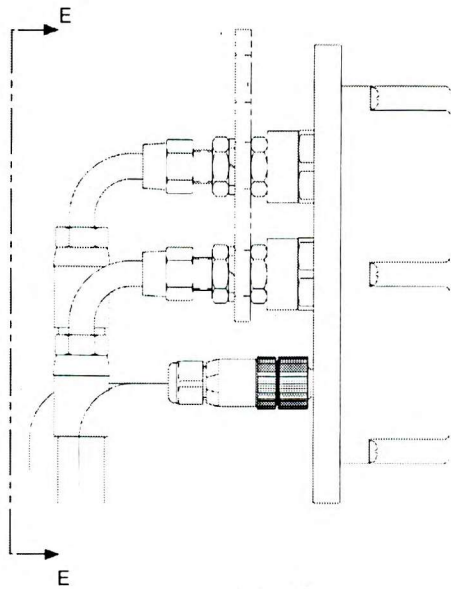


VIEW N-N

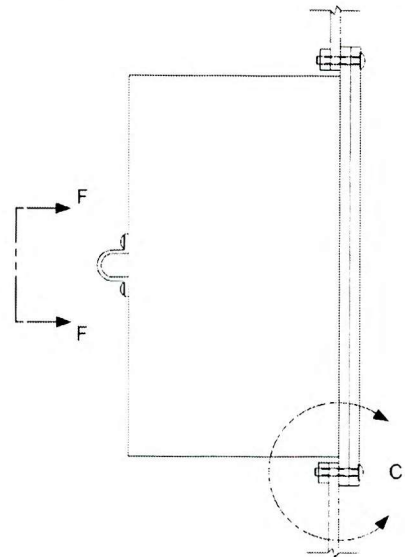
**ITEM NUMBERS NOT SHOWN
NBR 278, NBR 279**

WIRE AS SHOWN ON SHT. 5 USING ITEM 71/278 AND 76/279 (BUTT CONNECTOR)

Manitowoc Crane Group

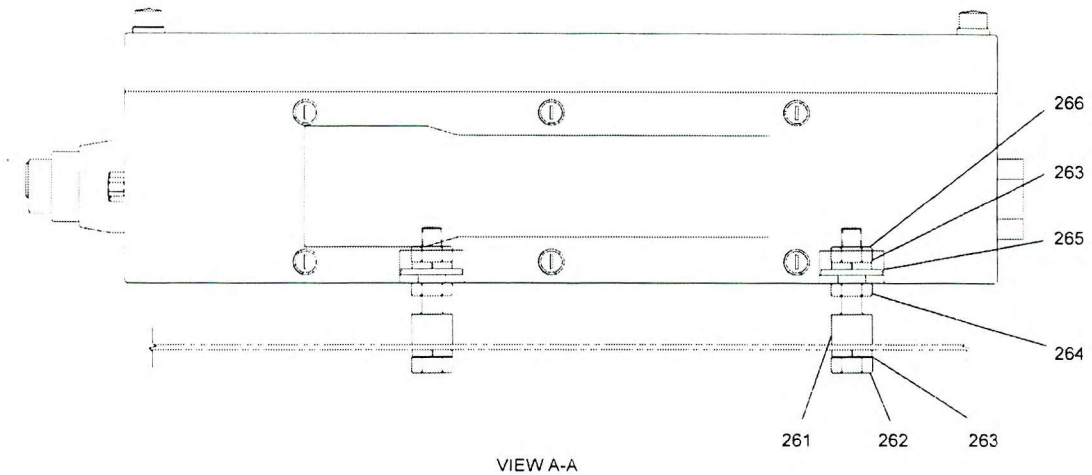


VIEW D-D

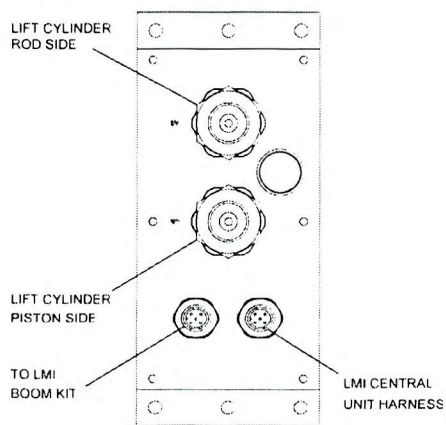


VIEW B-B

CABLE, AND CONNECTOR NOT SHOWN FOR CLARITY

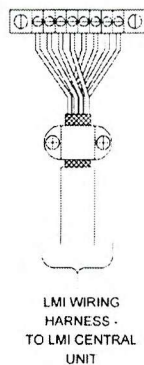


VIEW A-A

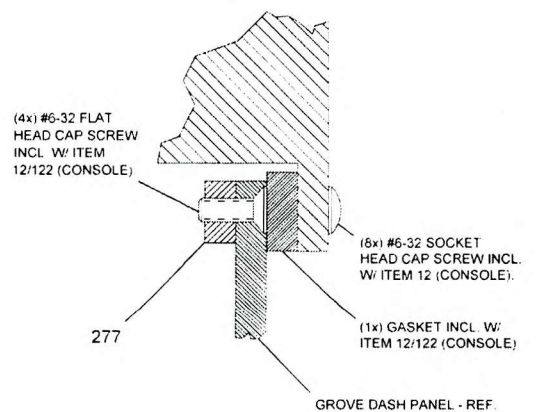


VIEW E-E

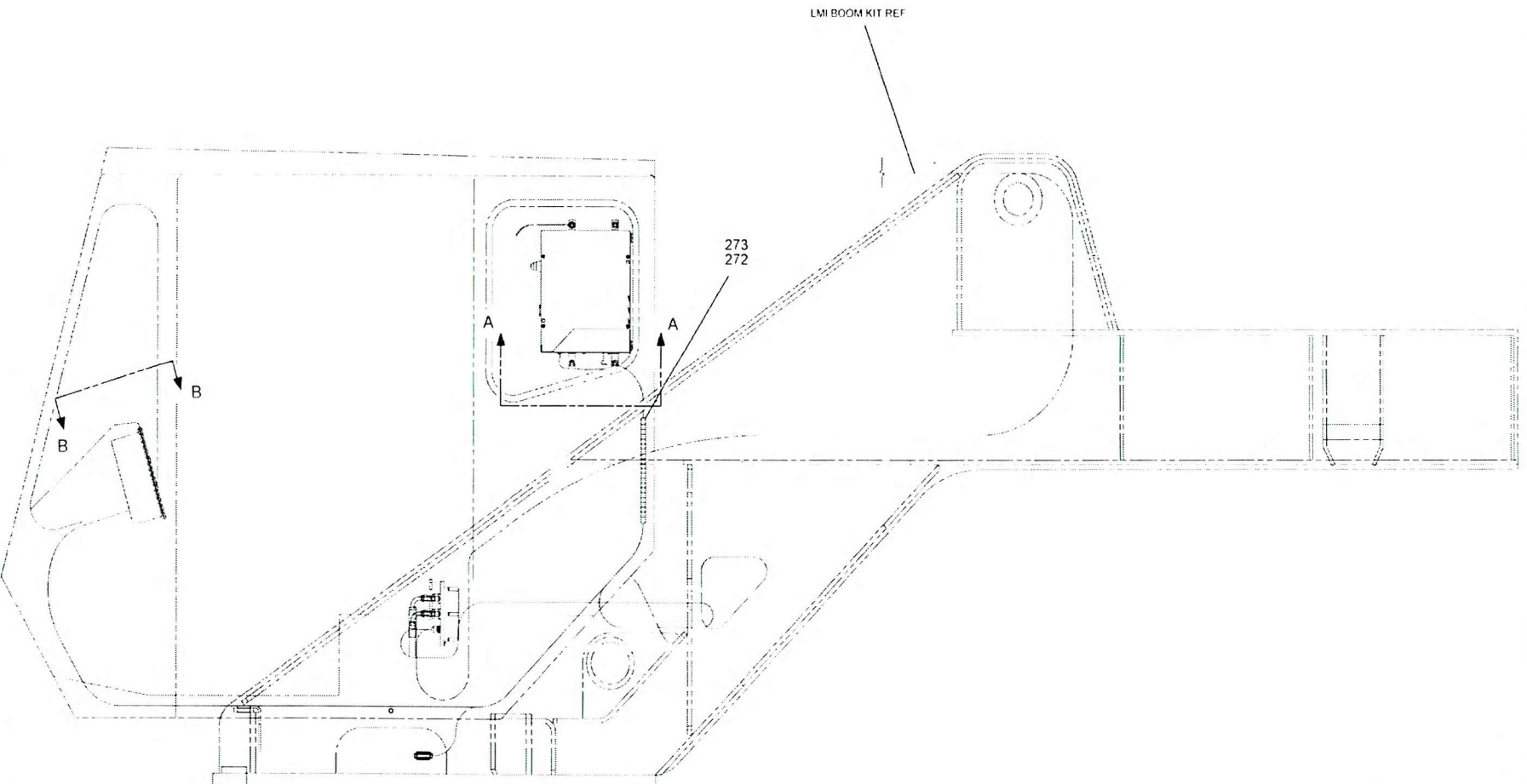
MOUNTING BRACKET, CABLE AND HOISING NOT SHOWN FOR CLARITY



VIEW F-F



DETAIL 'C'



6978100720

(SHEET 1 OF 3)

Page 182